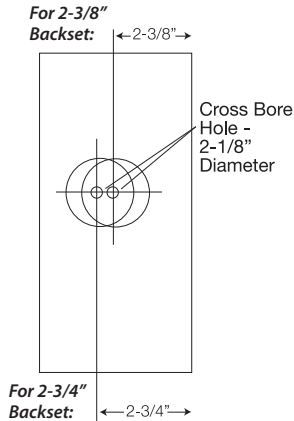


Installation Instructions Rosettes, Short and Long Plates

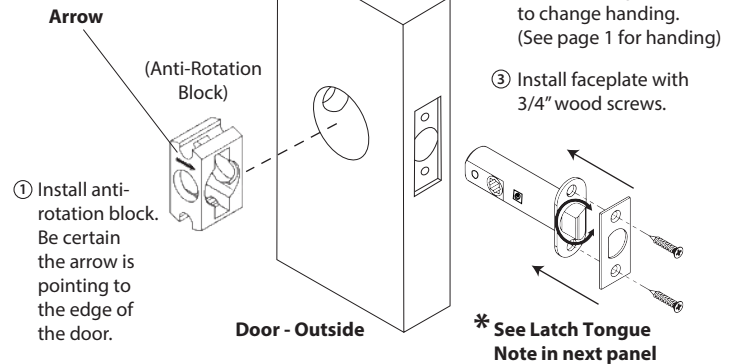
Tools Required: #2 Phillips Screwdriver (Not power tools)

A Backset Information



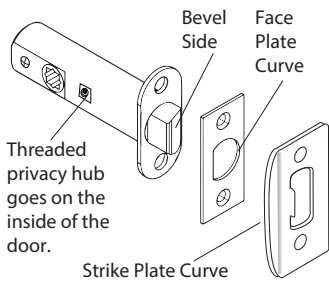
NOTE:
DRILLING
TEMPLATES
ON
SEPARATE
INCLUDED
SHEET

B Install Latch

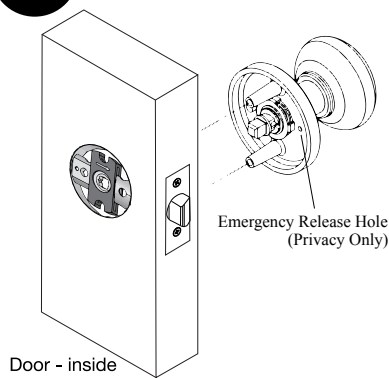


* Latch Tongue Note

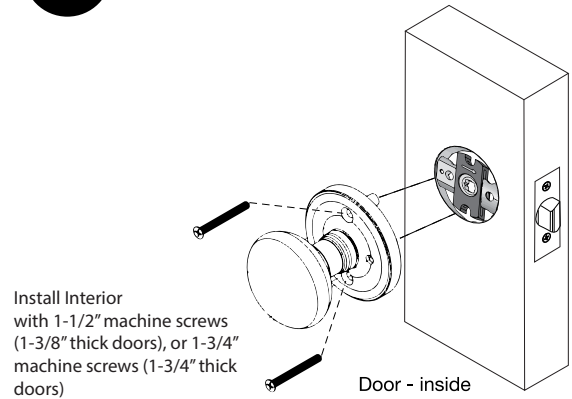
Bevel side of latch tongue should contact curved side of face plate, and curved side of strike plate.



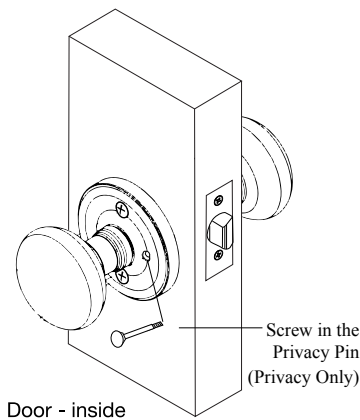
C Install Exterior Half of Latch



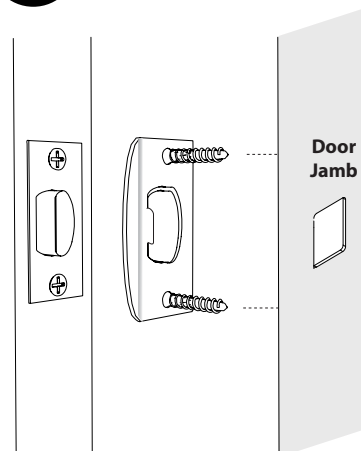
D Install Interior Half of Latch



E Install Privacy Pin



F Install Strike Plate

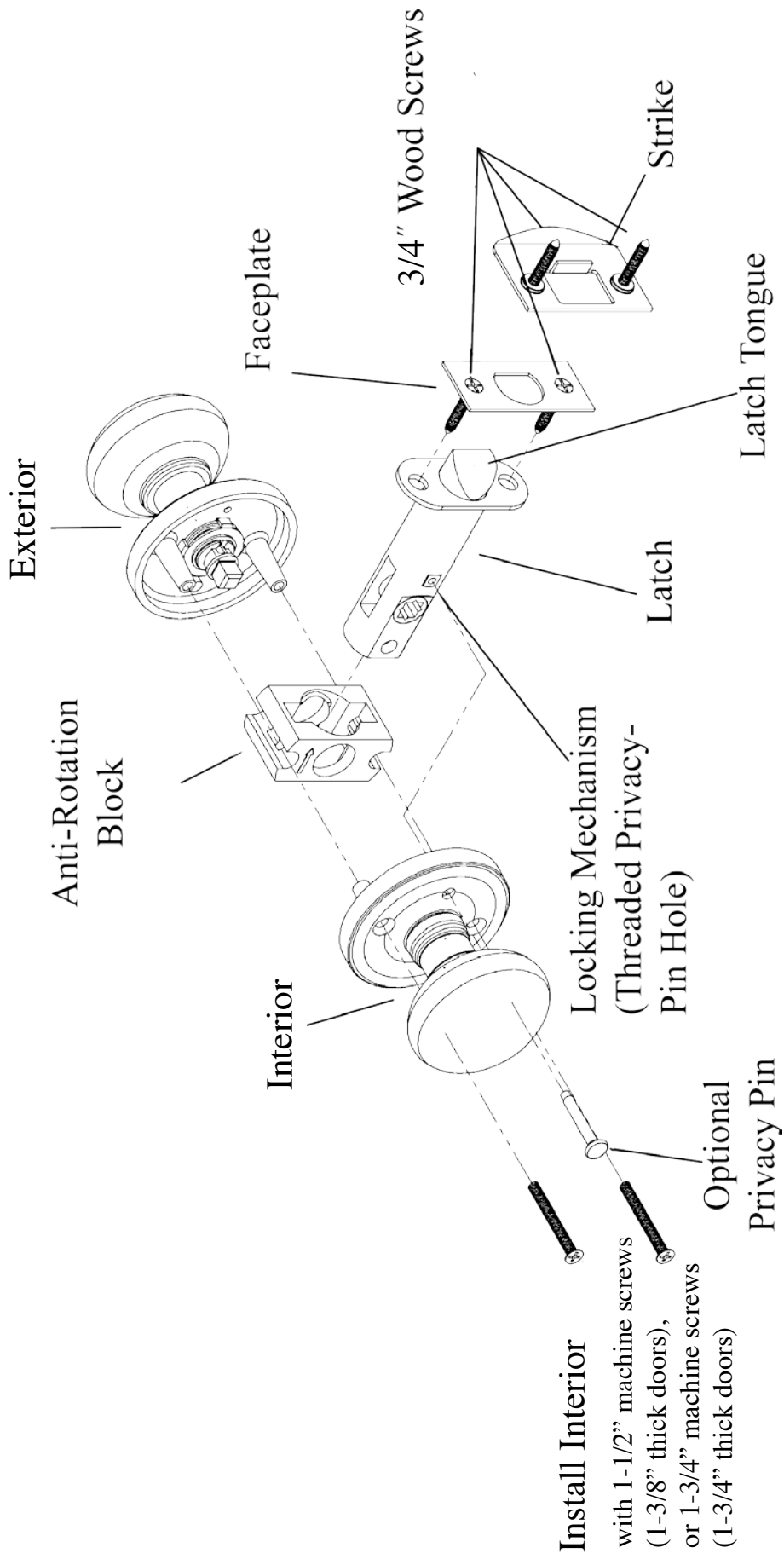


Attach the strike plate to the door jamb using 3/4" long wood screws.

AGELESS IRON™

For assistance call 1-844-372-6848
Monday through Friday,
7 am to 5 pm Mountain Time
or visit
www.AgelessIronHardware.com

EXPLODED DRAWING FOR ROSETTE, SHORT PLATE AND LONG PLATE PASSAGE AND PRIVACY FUNCTIONS



For assistance call 1-844-372-6848 Monday through Friday, 7 am to 5 pm Mountain Time or visit www.AgelessIronHardware.com