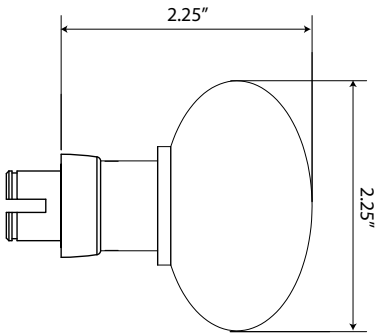


TECHNICAL SPECIFICATIONS

Keep Knob



> Design code: KEP

> Material: Cast iron, zinc plated and powder coated



Keep Knob on Loch Rosette