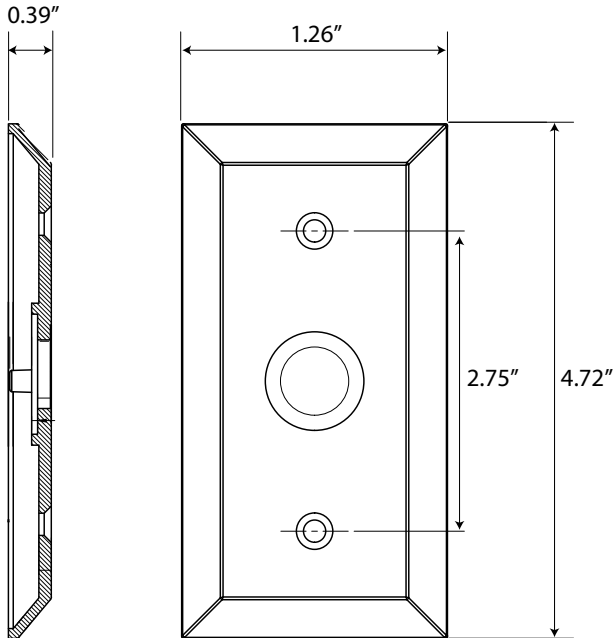


TECHNICAL SPECIFICATIONS

Vale Short Plate



- > Design code: VAL
- > Material: Cast iron, zinc plated and powder coated
- > Functions: Passage, privacy, dummy



Lance Lever on Vale Short Plate