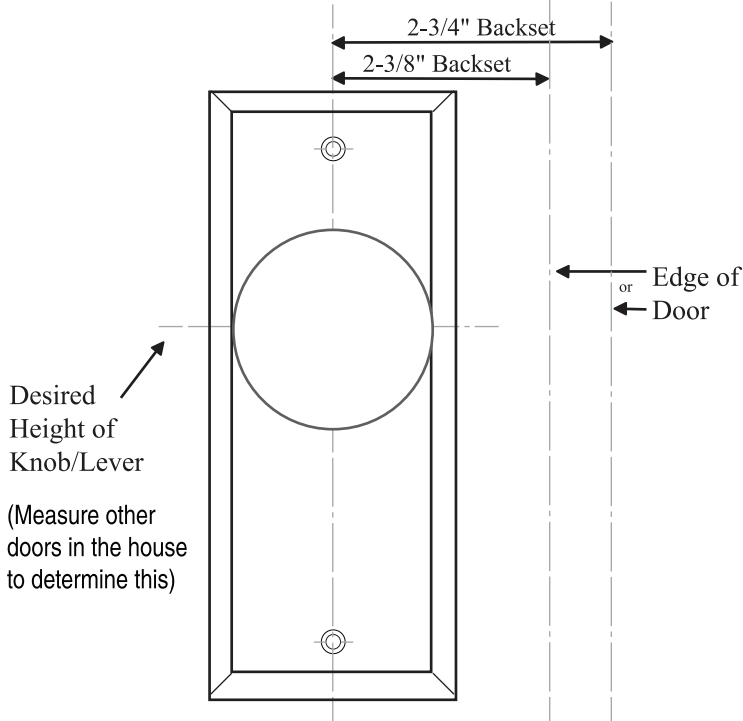
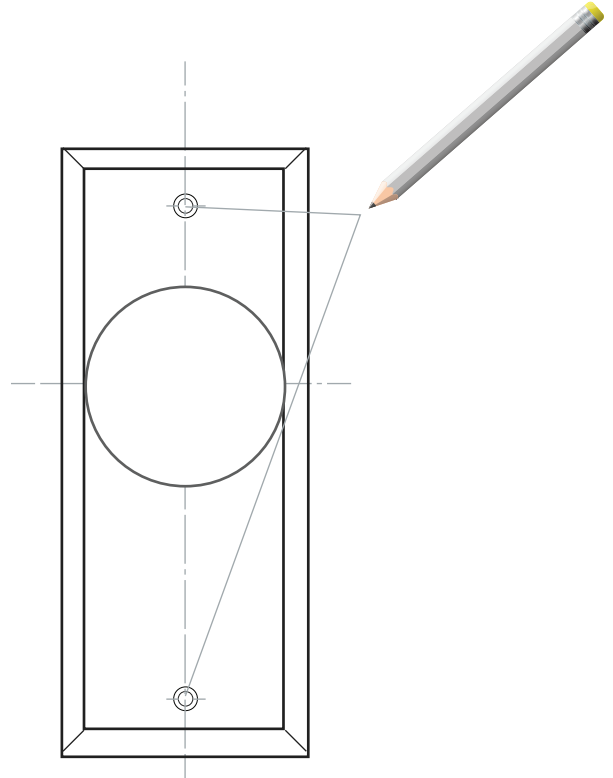


Note: Diagrams depicted on this page are not to scale

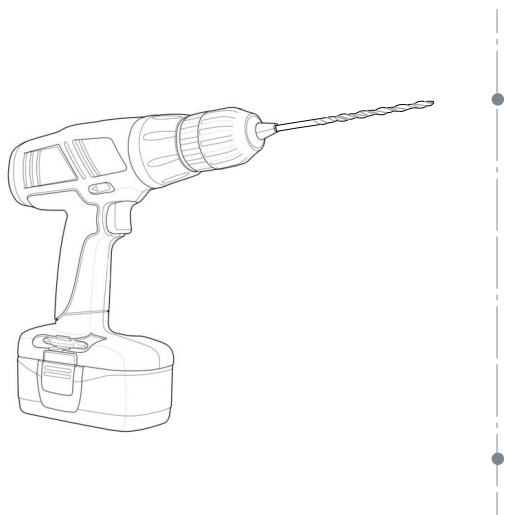
A Determine backset (distance between edge of door and center of rosette.) Check other doors in the house to determine backset.



B Mark the holes



C Using a 7/64" drill bit, drill the screw holes at least 3/4" deep.



D Insert the mounting screws and tighten until snug. **DO NOT USE POWER TOOLS TO TIGHTEN THE SCREWS!**

