

# AGELESS IRON™

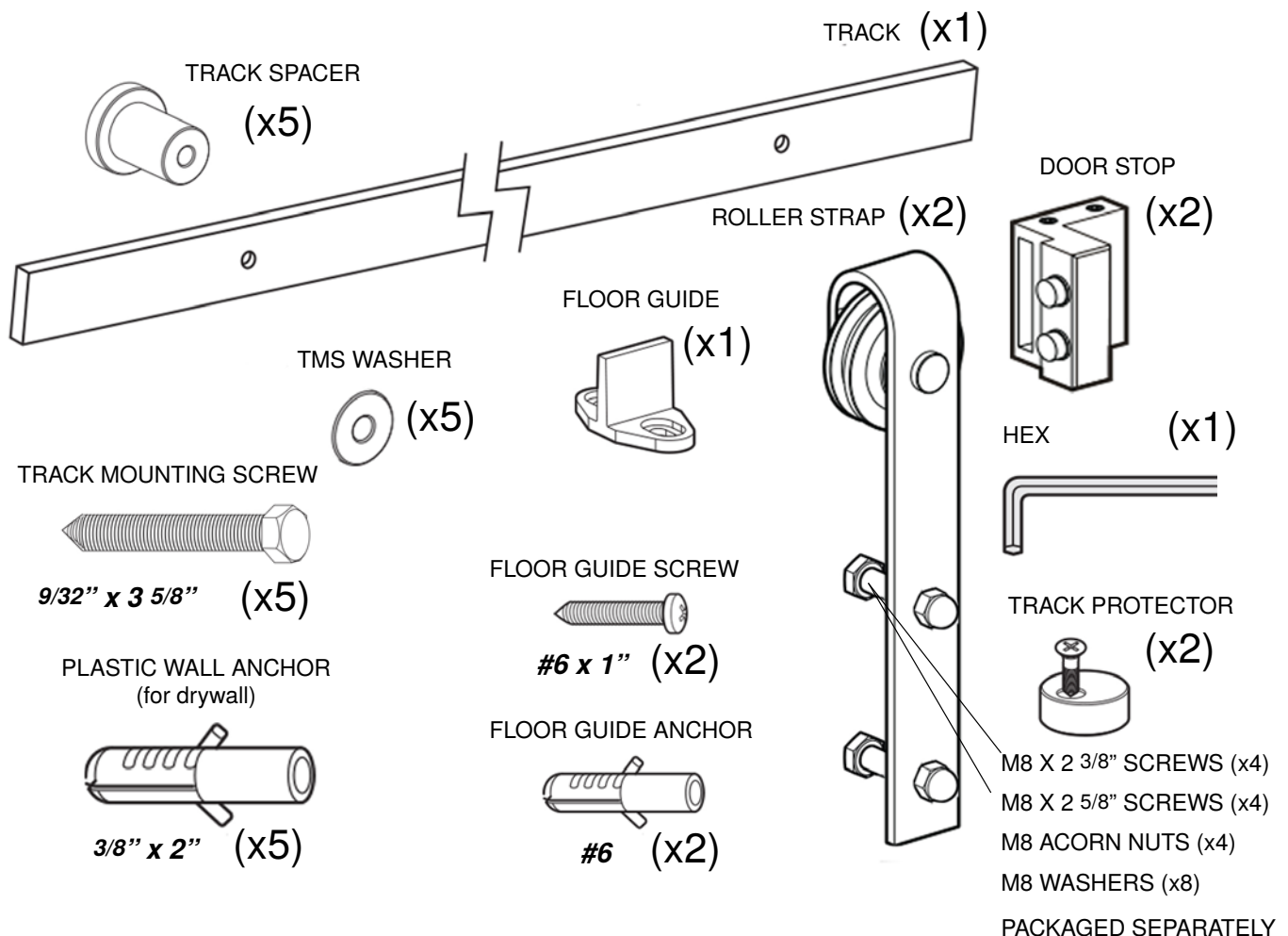
## INSTALLATION INSTRUCTIONS: BARN DOOR TRACK & ROLLER HARDWARE

Before proceeding, open the shipping carton and check that all parts listed below are present.

Call Customer Service at 1(800) 522-7336 for support.

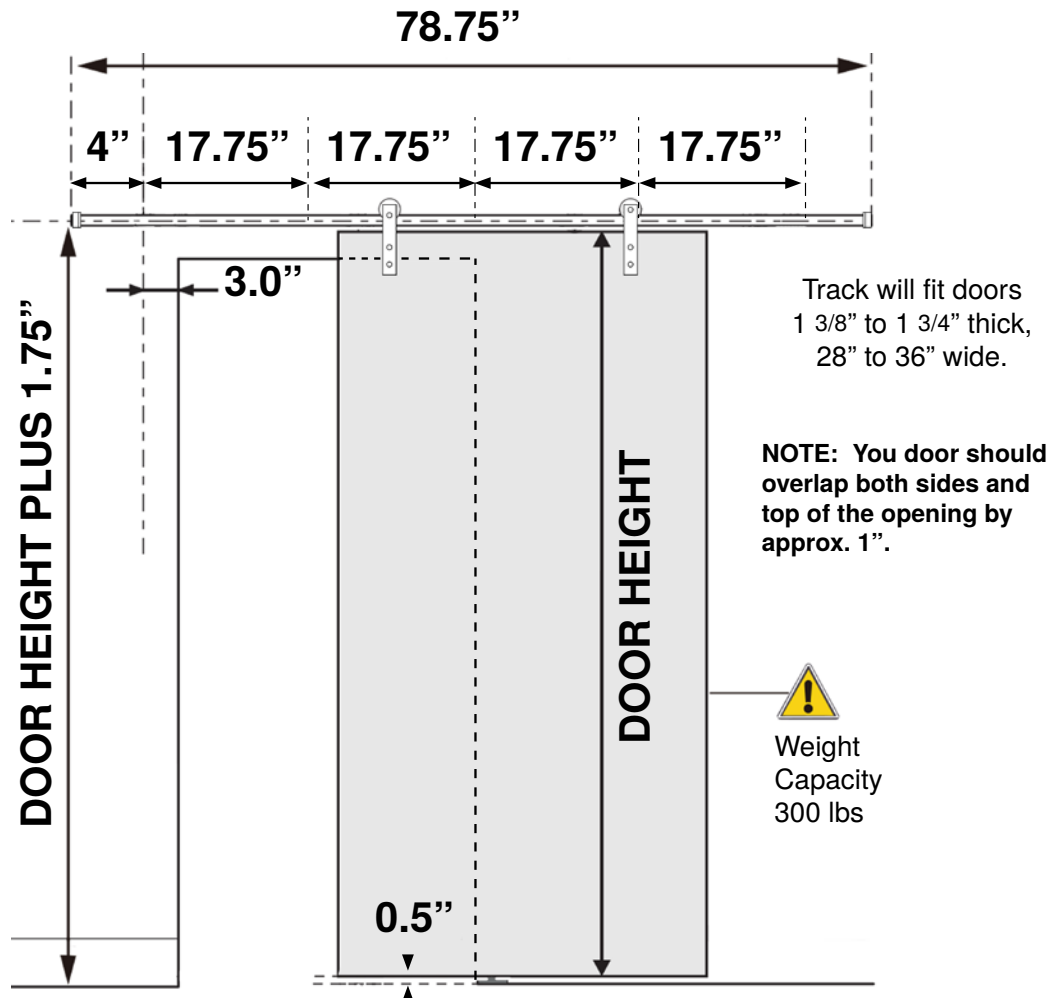
**IMPORTANT NOTE:** If your door opening has trim or casing around it, you will need to install a Backer Board between the track spacers and the wall. This board should be 1" x 4", or 1" x 6", and 78 3/4" long. The board should be secured to the wall by two, 2 1/2" long screws into each wall stud. A stud finder is necessary for proper screw location.

### BOX CONTENTS



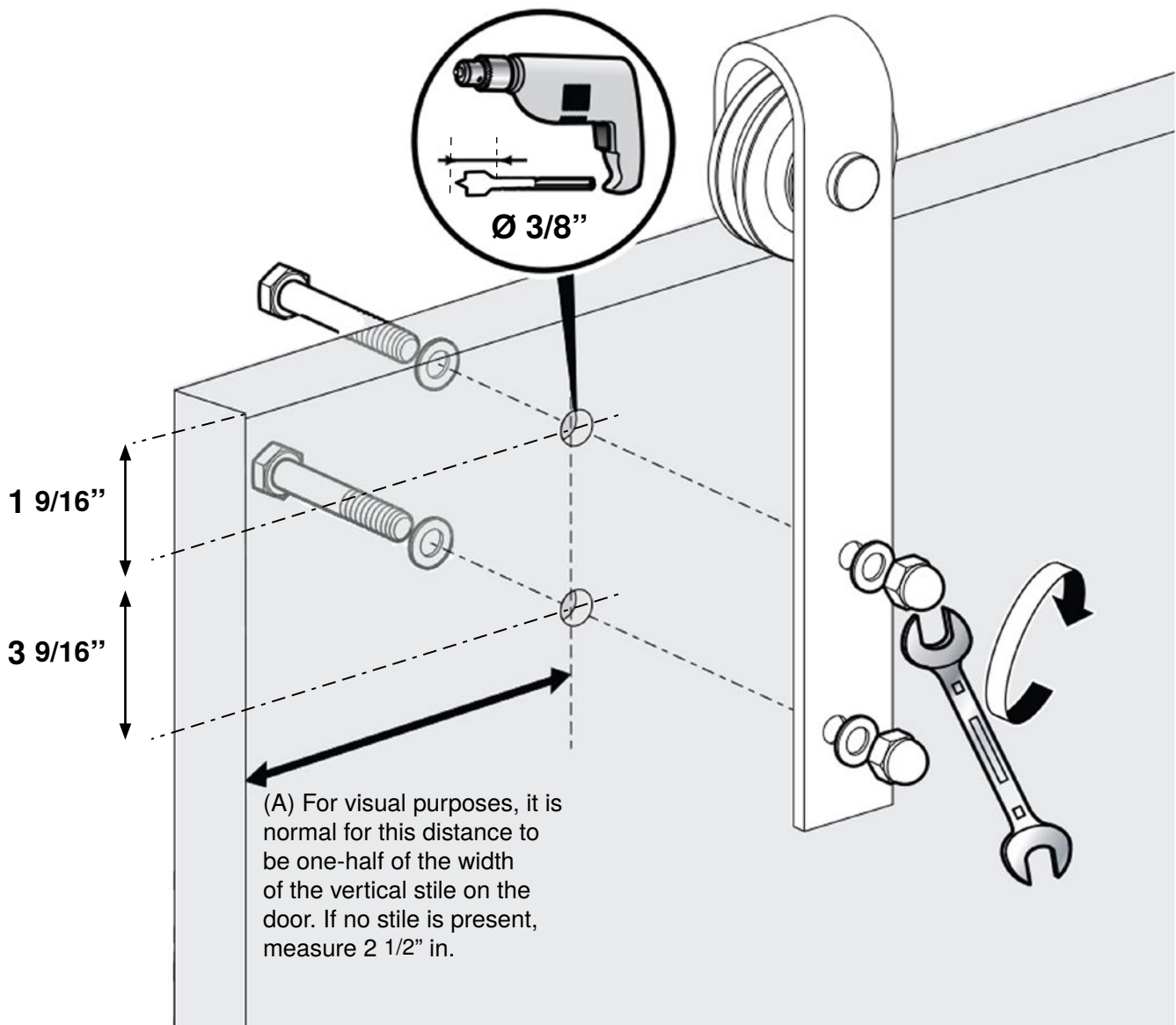
# TRACK INSTALLATION MEASUREMENTS

1. Measure the height of the door. Add  $1\frac{3}{4}$ " to this measurement. This is the height of the centerline of the door track. Example: 84" door +  $1\frac{3}{4}$ " =  $85\frac{3}{4}$ " track centerline.
2. Mark 2-3" of the track centerline with a pencil approx. 3" outside the jamb or opening.
3. Measure out 3" from the inside of the door jamb or opening. Lightly draw a line vertically from this point to where it intersects the track centerline. This is the location for the first track mounting hole.
4. Drill a  $\frac{1}{4}$ " hole for the first track mounting hole. Erase any pencil marks.
5. Mount one end of the track using the spacer between the wall and track, and the provided screw and TMS Washer. Do not fully tighten.
6. Raise the track until it is level. Use a level to check. Mark the other four mounting holes.
7. Drill the remaining four mounting holes with a  $\frac{1}{4}$ " drill. Note that any holes not in wood will need to be enlarged to accept the  $\frac{3}{8}$ " x 2" plastic wall anchors. Raise the track, and install the remaining screws and TMS washers. Do not fully tighten.
8. Using a level, raise the track until it is level, and fully tighten all five screws.



# ROLLER INSTALLATION

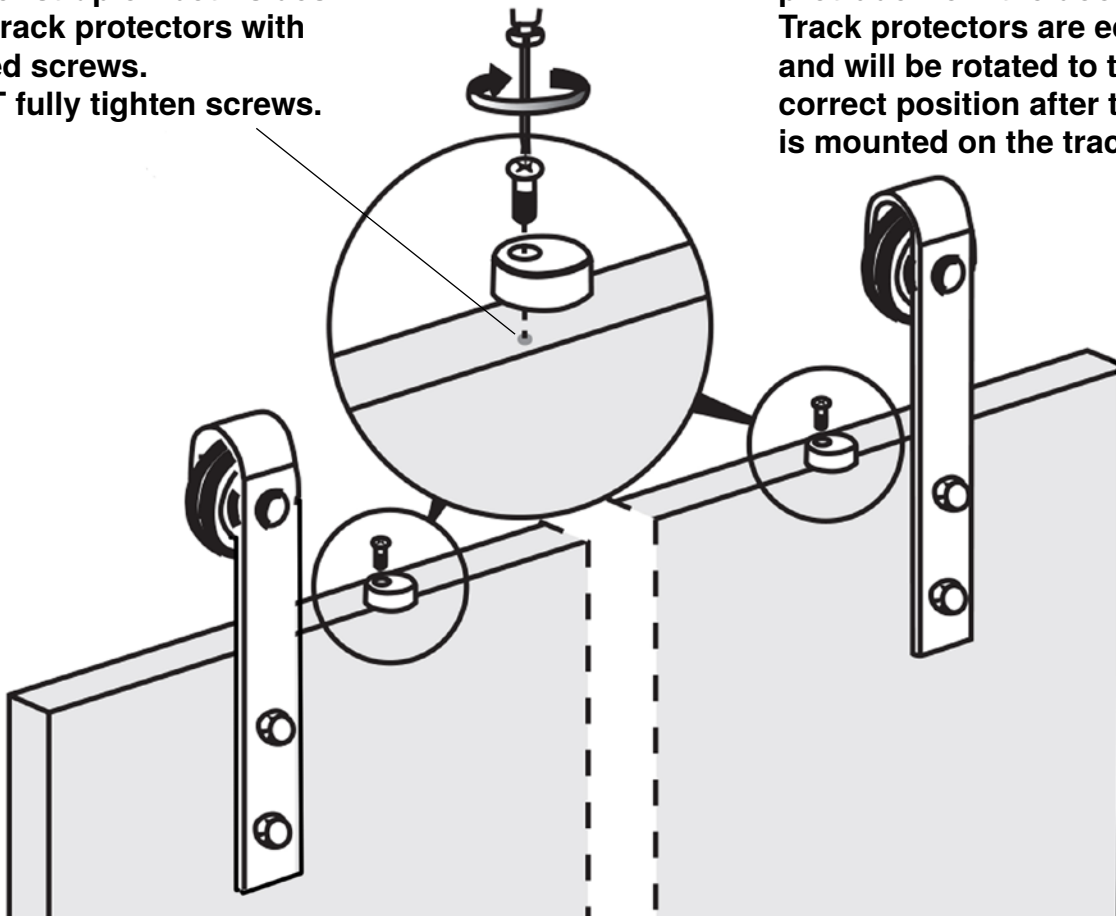
1. Mark both upper corners of the door per the drawing below.
2. Drill through the door with a 3/8" drill.
3. Attach the roller to the door using provided bolts and washers.  
(Use 2 3/8" for 1 3/8" doors; 2 5/8" for 1 3/4" doors).
4. Hold roller strap parallel with the door edge, and tighten the nuts.



# INSTALL TRACK PROTECTORS

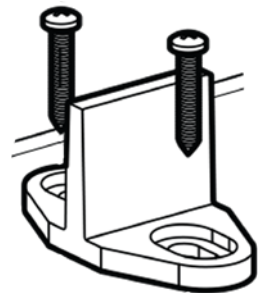
1. Drill a 1/8" pilot hole 3" in from the roller strap on both sides.
2. Install track protectors with provided screws.
3. Do NOT fully tighten screws.

4. Rotate track protectors so they protrude from the door-face. Track protectors are eccentric and will be rotated to the correct position after the door is mounted on the track.



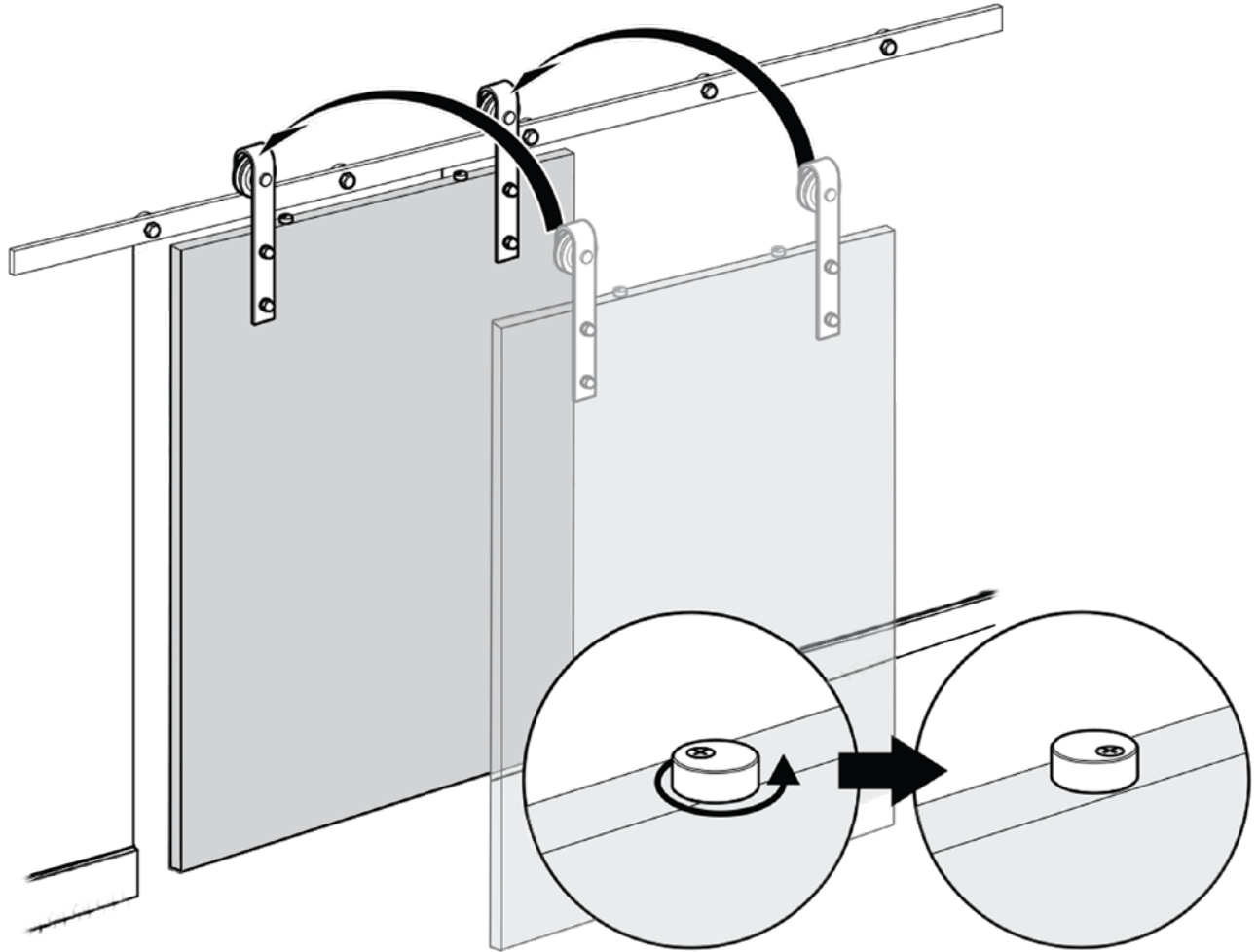
## FLOOR GUIDE INSTALLATION

1. The floor guide is mounted to the floor at the bottom of the door, and prevents the door from swinging in or out.
2. For proper operation, a 1/4" wide slot should be present 1" deep into the bottom of the door.
3. Simply place the floor guide against the wall behind the door, mark the holes and drill the holes with a 1/4" bit. Note the floor guide should be positioned so that it engages the door when open and closed. Install the plastic anchors into the floor, and mount the floor guide using the provided screws.
4. If your door does not have the slot, the floor guide can be utilized to prevent the door from swinging out (only).
5. Simply place the floor guide against the outside of the door, mark the holes and drill holes with a 1/4" bit.
6. Install the plastic anchors into the floor, and mount the floor guide using the provided screws.



# HANGING THE DOOR

1. Mount the door stops 3" from each end of the track, with rubber bumpers inward. Tighten the hex screws.
2. Lift the door onto the track. Be certain that the track goes into the groove on the track roller.
3. Gently roll the door back and forth.



4. Rotate the track protectors so they do not overhang the door on either side.
5. Tighten the screws.

# DOOR STOP ADJUSTMENT

1. Slide the door to the left until it covers the door opening, and overlaps the door trim an inch on both sides.
2. Slide the door stop next to the roller strap, tighten the two hex screws.
3. On the opposite end of the track, slide the door to the right gently until the door opening is fully revealed. Slide the door stop until the rubber bumpers touch the roller strap. Tighten the two hex screws.
4. Check operation, and make further adjustments as necessary.

